



**SUPER
ENGINEERING
WORKS**

INSTRUMENTATION FITTINGS & VALVES

INDUSTRIAL VALVES

"H" MAX

"A" SQ.



www.superenggworks.com

AN ISO 9001:2015 CERTIFIED COMPANY

Introduction

SUPER ENGINEERING WORKS an **ISO 9001:2015** Certified Company engaged in the business of manufacturing and marketing of high quality instrumentation products such as:-

- Double Ferrule Compression Tube Fittings
- Industrial Valves
- Precision Pipe Fittings
- Flare Fittings

SUPER ENGINEERING WORKS manufactures all the above product to a very precise tolerance under a strict supervision which are tested at normal and extreme condition to withstand the high performance demands such as high pressure, vacuum, vibration, impulse and temperature being used for Chemical, Petrochemicals, Fertilizers, Pharmaceuticals, Marine, Power as well as other major industries.

MANUFACTURING FACILITY

SUPER ENGINEERING WORKS has inhouse manufacturing facilities with modern precision machineries, instruments, gauges and skilled workforce with total commitment to meet and fulfill the increasing demands and requirements of our customers.

QUALITY POLICY

SUPER ENGINEERING WORKS endeavour to satisfy our customer through prompt supply of quality products. We do so through periodic revieTCs and continuously improving the products, process and systems.

OUR AIM

SUPER ENGINEERING WORKS aims to be the benchmark setter in the industry by providing high standard quality products with total customer's satisfaction.



➤ Valve Manifolds

Page No. 4 to 9

ETC2VMR01
ETC2GVR03
ETC3VMR01
ETC3VMR02

➤ Needle Valves

Page No. 10 to 16

SEW-NV01
SEW-NV02
SEW-NV03
SEW-NV04
SEW-NV05
SEW-NV06
SEW-NV07
SEW-NV08
SEW-NV09
SEW-GV10

➤ Ball Valves

Page No. 17 to 24

SEW-BV01
SEW-BV02
SEW-BV03
SEW-BV04
SEW-BV05



VALVE MANIFOLDS



SUPER ENGINEERING WORKS Valve Manifolds offers a safe and economical method of installation to control, measure, isolate, equalize, calibrate, drain, vent, or differentiate the pressure of media such as liquid and gas. Our Valve Manifold are manufactured to a very precise tolerance to ensure perfect installation and application. Our Manifold series offer 2, 3 and 5 valves configuration of Remote mounting type (pipe to pipe), Direct mounting type ('T' type – pipe to flange and 'H' type – flange to flange) or Panel mounting type on to Gauges, DP transmitter, and Pressure switches with 54mm centre distance.

2 Valve Manifolds

These calibration manifolds are having one isolation valve of 1/2" connection and one drain valve of 1/4" NPT (F) outlet which can be used for calibration.

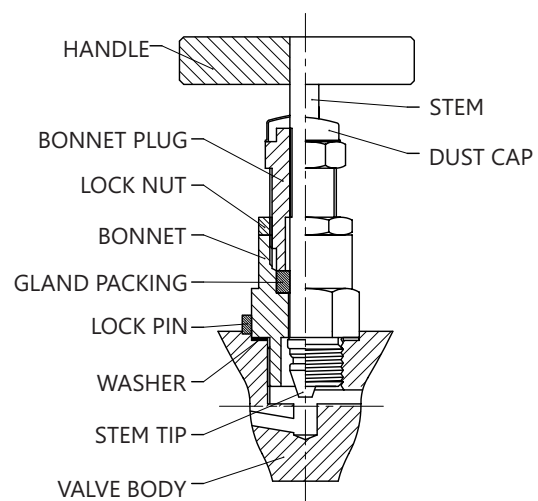
3 Valve Manifolds

These manifolds are generally used in differential pressure application with pressure gauges, pressure switches, and pressure transmitters. These manifolds consist of two isolating valves of 1/2" NPT (F) inlet and outlet, one equalizing valve in a single unit.

5 Valve Manifolds

These manifolds consist of two isolation valves, one equalizer valve and two drain / vent valves. The standard process and instrumentation connections are of 1/2" NPT and two vent connections are of 1/4" NPT in all manifolds and are provided with blanking plugs.

VALVE BONNET ASSY



STANDARD SPECIFICATIONS:

Max working pressure: 6000 PSI (400 bar)

Max Temperature: 240° C

Material: SS 304, SS 316, SS 316L, CS.

Gland Packing: PTFE

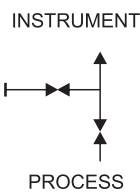
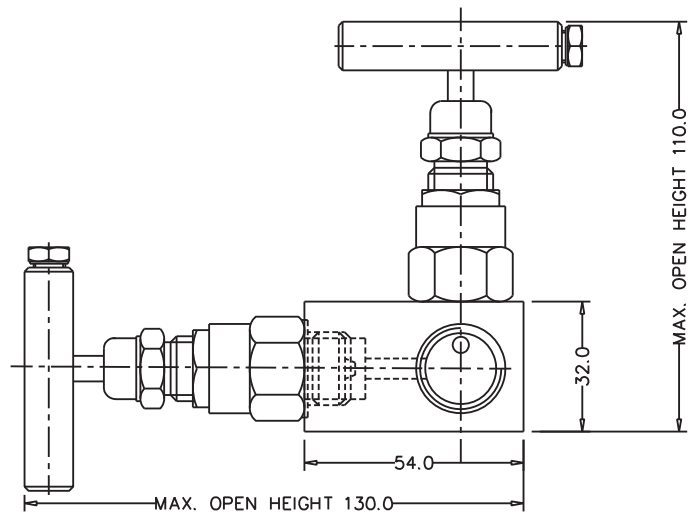
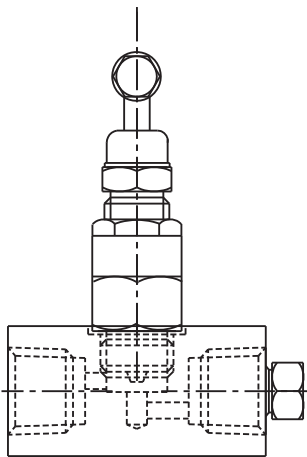
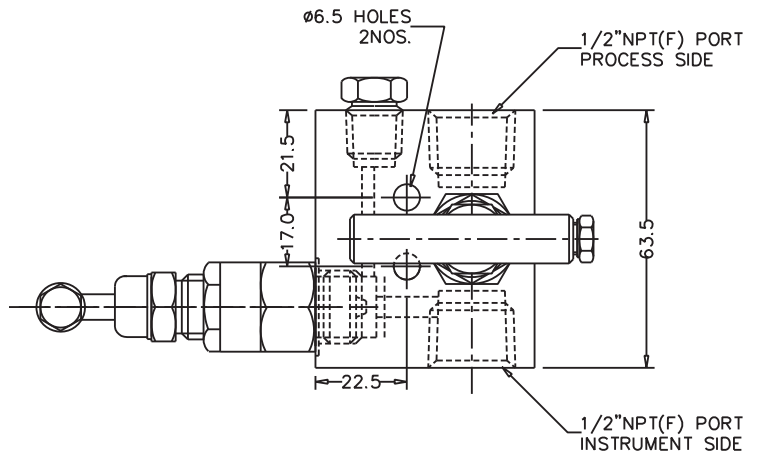
Standard Process Connection: 1/2" NPT, Flange (For Direct mounting 'H' type)

Standard Instrument Connection: 1/2" NPT, Flange (For Direct mounting 'T' type & 'H' type)

Drain: 1/4" NPT

Model : SEW2VMR01

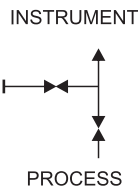
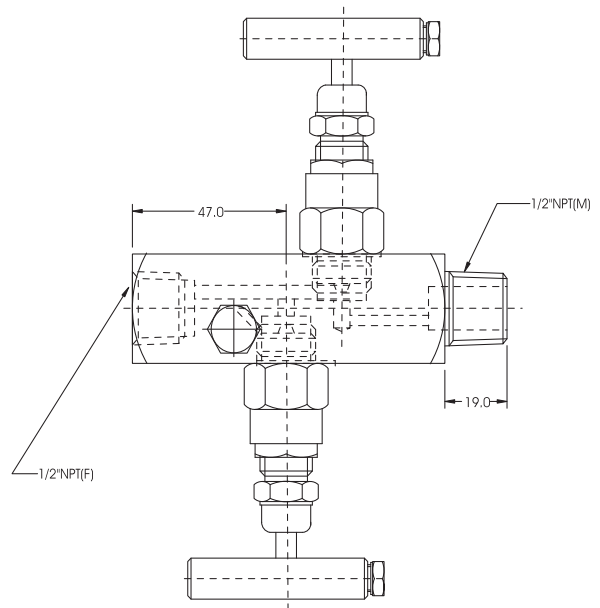
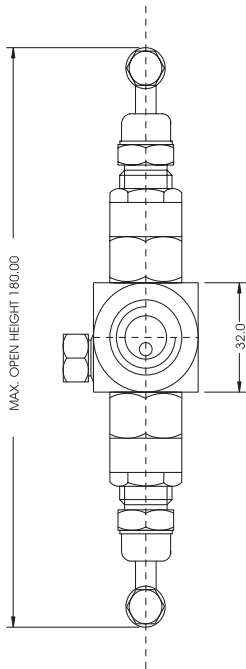
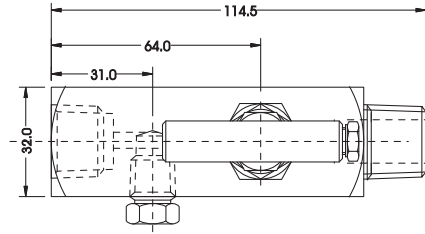
2 VALVE MANIFOLD
 REMOTE MOUNTING TYPE



All dimensions are for reference only, and are subject to change without prior notice. Sizes and types other than those featured above are available on request.

Model : SEW2GVR03

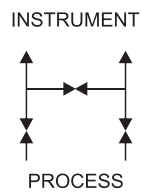
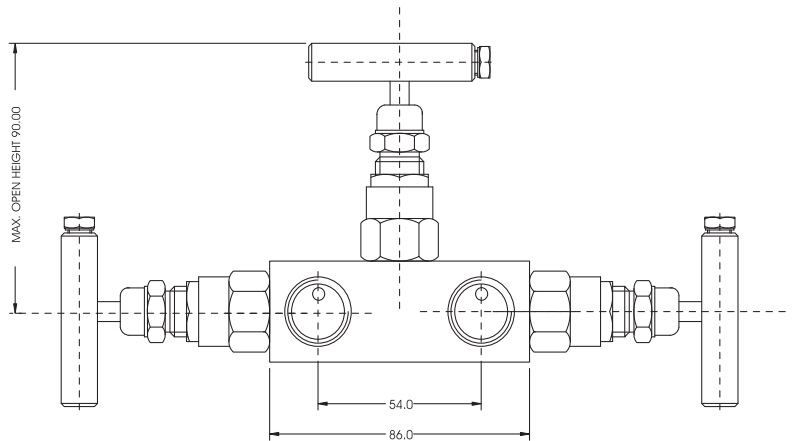
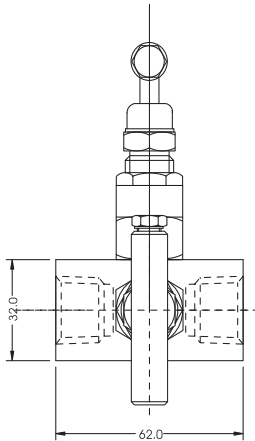
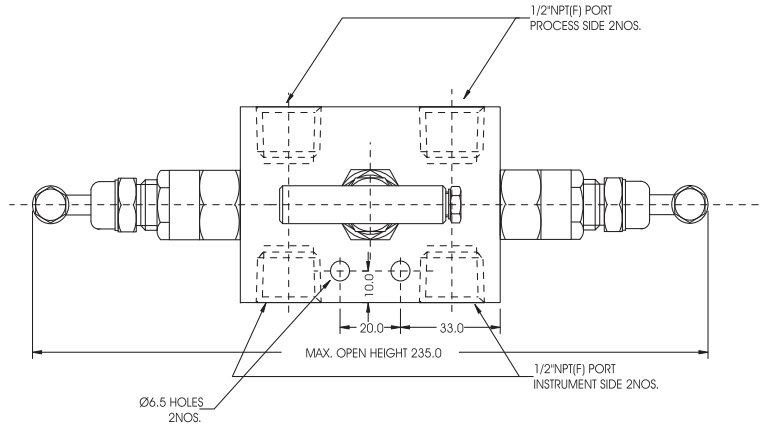
2 WAY GAUGE VALVE



All dimensions are for reference only, and are subject to change without prior notice. Sizes and types other than those featured above are available on request.

Model : SEW3VMR01

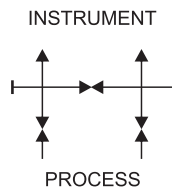
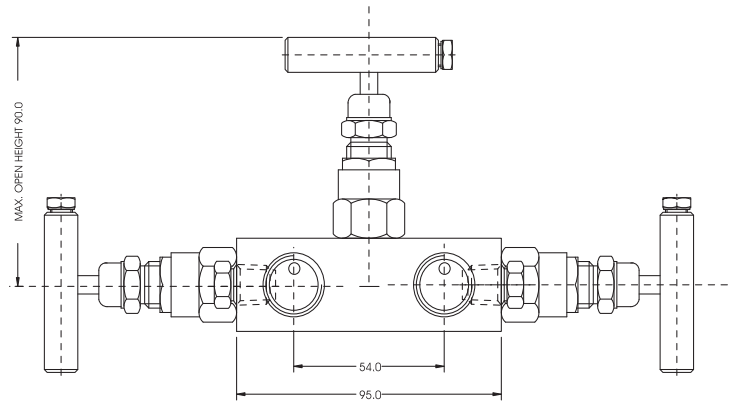
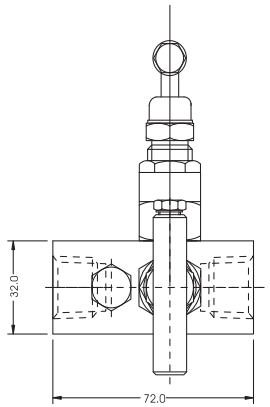
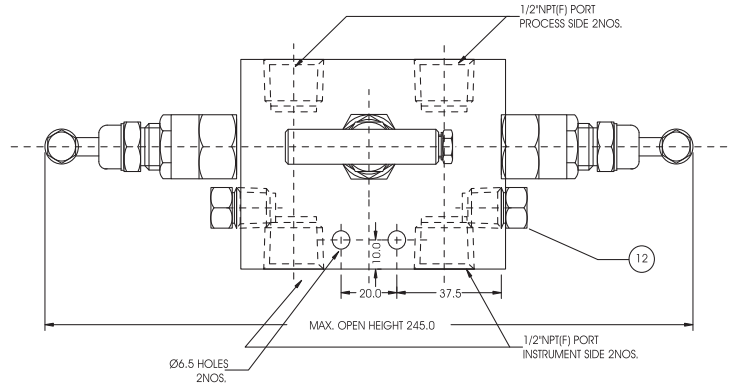
3 VALVE MANIFOLD
 REMOTE MOUNTING TYPE



All dimensions are for reference only, and are subject to change without prior notice. Sizes and types other than those featured above are available on request.

Model : SEW3VMR02

3 VALVE MANIFOLD (WITH DRAIN)
 REMOTE MOUNTING TYPE



All dimensions are for reference only, and are subject to change without prior notice. Sizes and types other than those featured above are available on request.

NEEDLE VALVES



SUPER ENGINEERING WORKS Needle Valves are manufactured for various operating temperature to cater the increasing demands and variety of applications. Needle Valves are also known as isolation valves, shut off valve or regulatory valve, which are suitable for Instrumentation, Process, and Hydraulic applications. Needle Valves are ideal option for isolating or throttling applications. The self centring Non-rotating tip stem ensures perfect seating by providing tight, repeatable shutoff without the galling or cross scoring that occurs on 'V' and 'Ball Type' stem. The PTFE gland packings are placed below the stem thread which ensures that the stem thread does not come in contact with the fluid media.

STANDARD SPECIFICATIONS:

Design: Screwed Bonnet

Size: 1/4" to 1"

Max Working Pressure: 6000 PSI (400 bar)

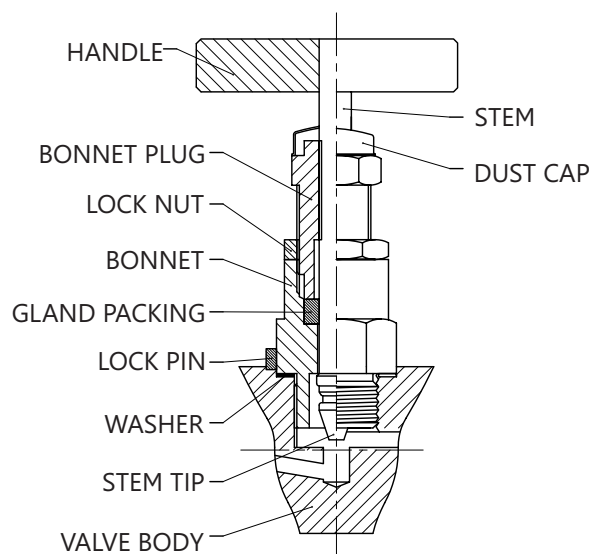
Max Temperature: 240° C

Material: SS 304, SS 316, SS 316L

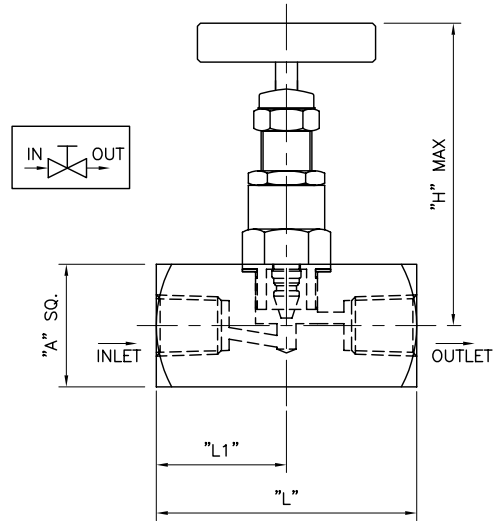
Gland Packing: PTFE

End Connections: Male/Female pipe thread (NPT, BSP, BSPT), Double Ferrule Tube Fittings, Socket Weld.

VALVE BONNET ASSY

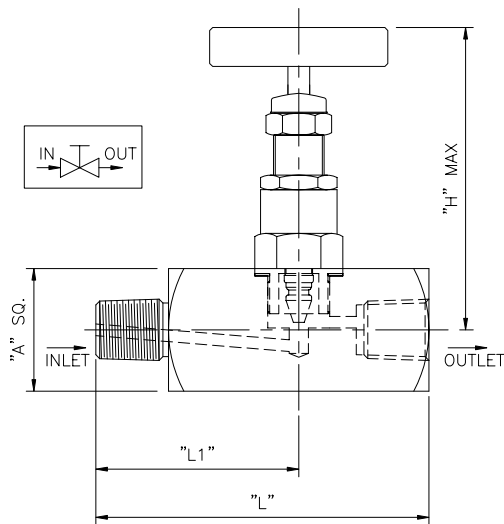


Model : SEW-NV01
Female x Female



Part No.	Size	A	L	L1	H
SEW-NV-2FF	1/8"	28.00	56.00	28.00	87.00
SEW-NV-4FF	1/4"	28.00	56.00	28.00	87.00
SEW-NV-6FF	3/8"	28.00	56.00	28.00	87.00
SEW-NV-8FF	1/2"	32.00	64.00	32.00	89.00
SEW-NV-12FF	3/4"	38.00	64.00	32.00	92.00
SEW-NV-16FF	1"	45.00	78.00	39.00	96.00

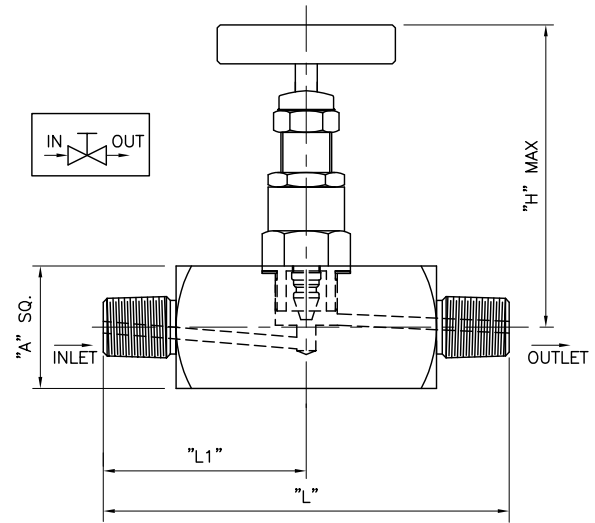
Model : SEW-NV02
Male x Female



Part No.	Size	A	L	L1	H
SEW-NV-2MF	1/8"	28.00	56.00	28.00	87.00
SEW-NV-4MF	1/4"	28.00	60.00	32.00	87.00
SEW-NV-6MF	3/8"	28.00	60.00	32.00	87.00
SEW-NV-8MF	1/2"	32.00	72.00	38.00	89.00
SEW-NV-12MF	3/4"	38.00	72.00	38.00	92.00
SEW-NV-16MF	1"	45.00	84.00	44.00	96.00

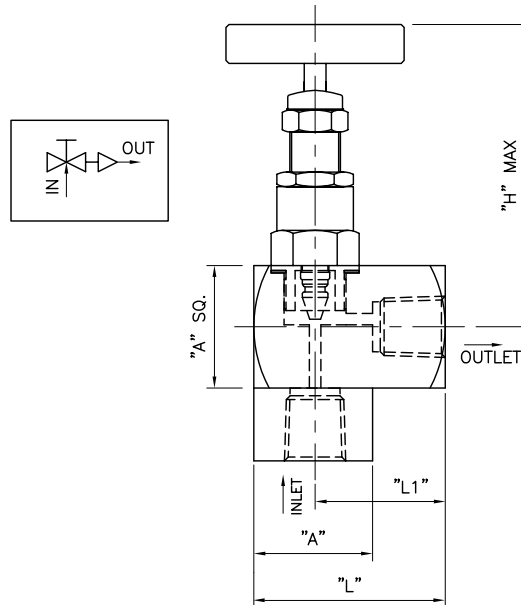
All dimensions are for reference only, and are subject to change without prior notice. Sizes and types other than those featured above are available on request.

Model : SEW-NV03
Male x Male



Part No.	Size	A	L	L1	H
SEW-NV-2MM	1/8"	28.00	56.00	28.00	87.00
SEW-NV-4MM	1/4"	28.00	60.00	30.00	87.00
SEW-NV-6MM	3/8"	28.00	60.00	30.00	87.00
SEW-NV-8MM	1/2"	32.00	72.00	36.00	89.00
SEW-NV-12MM	3/4"	38.00	72.00	36.00	92.00
SEW-NV-16MM	1"	45.00	88.00	44.00	96.00

Model : SEW-NV04
Female x Female (Angle Type)



Part No.	Size	A	L	L1	H
SEW-ANV-2FF	1/8"	28.00	42.00	28.00	87.00
SEW-ANV-4FF	1/4"	28.00	42.00	28.00	87.00
SEW-ANV-6FF	3/8"	28.00	42.00	28.00	87.00
SEW-ANV-8FF	1/2"	32.00	50.00	34.00	89.00
SEW-ANV-12FF	3/4"	38.00	56.00	37.00	92.00
SEW-ANV-16FF	1"	45.00	68.00	46.00	96.00

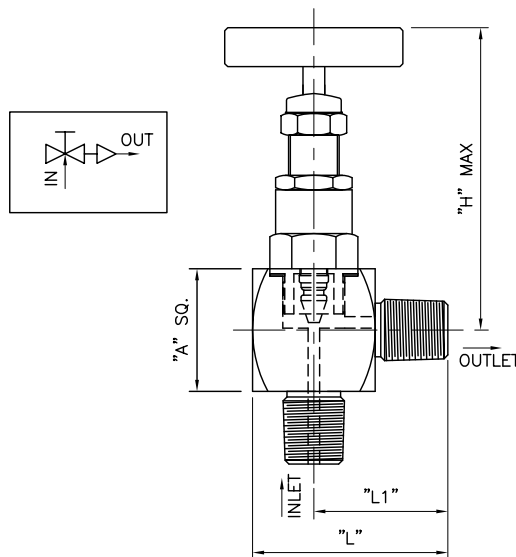
All dimensions are for reference only, and are subject to change without prior notice. Sizes and types other than those featured above are available on request.

Model : SEW-NV05
Male x Female (Angle Type)



Part No.	Size	A	L	L1	H
SEW-ANV-2MF	1/8"	28.00	42.00	28.00	87.00
SEW-ANV-4MF	1/4"	28.00	42.00	28.00	87.00
SEW-ANV-6MF	3/8"	28.00	42.00	28.00	87.00
SEW-ANV-8MF	1/2"	32.00	50.00	34.00	89.00
SEW-ANV-12MF	3/4"	38.00	56.00	37.00	92.00
SEW-ANV-16MF	1"	45.00	68.00	46.00	96.00

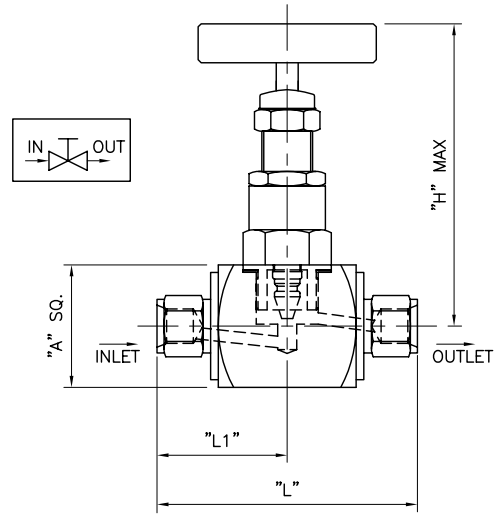
Model : SEW-NV06
Male x Male (Angle Type)



Part No.	Size	A	L	L1	H
SEW-ANV-2MM	1/8"	28.00	42.00	28.00	87.00
SEW-ANV-4MM	1/4"	28.00	42.00	28.00	87.00
SEW-ANV-6MM	3/8"	28.00	42.00	28.00	87.00
SEW-ANV-8MM	1/2"	32.00	50.00	34.00	89.00
SEW-ANV-12MM	3/4"	38.00	56.00	37.00	92.00
SEW-ANV-16MM	1"	45.00	68.00	46.00	96.00

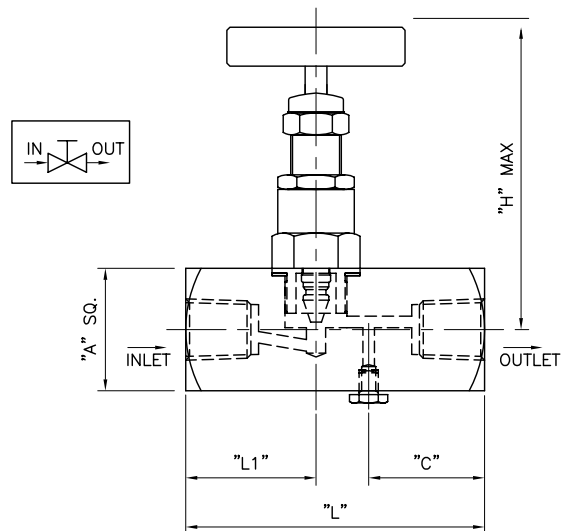
All dimensions are for reference only, and are subject to change without prior notice. Sizes and types other than those featured above are available on request.

Model : SEW-NV07
Tube OD x Tube OD



Part No.	Size Tube OD	A	L	L1	H
SEW-NVOD-4	1/4"	28.00	64.00	32.00	87.00
SEW-NVOD-6	3/8"	28.00	68.00	34.00	87.00
SEW-NVOD-8	1/2"	28.00	72.00	36.00	87.00
SEW-NVOD-12	3/4"	32.00	76.00	38.00	89.00
SEW-NVOD-16	1"	42.00	96.00	48.00	94.00
SEW-NVOD-6m	6mm	28.00	64.00	32.00	87.00
SEW-NVOD-8m	8mm	28.00	66.00	33.00	87.00
SEW-NVOD-10m	10mm	28.00	68.00	34.00	87.00
SEW-NVOD-12m	12mm	28.00	72.00	36.00	87.00
SEW-NVOD-20m	20mm	32.00	76.00	38.00	89.00
SEW-NVOD-25m	25mm	42.00	96.00	48.00	94.00

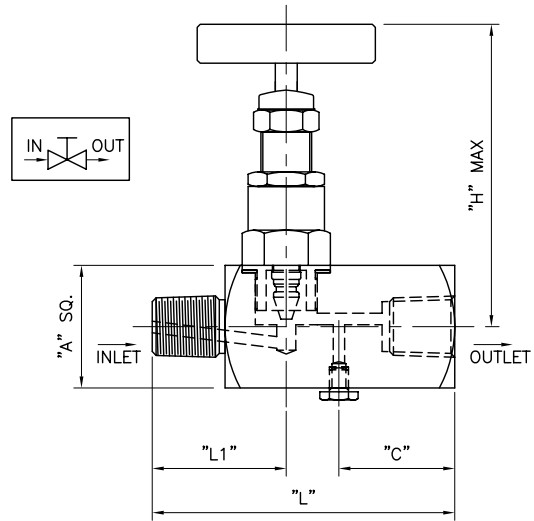
Model : SEW-NV08
Female x Female (With Vent Plug)



Part No.	Size	A	C	L	L1	H
SEW-NVD-4FF	1/4"	28.00	25.00	74.00	28.00	87.00
SEW-NVD-6FF	3/8"	28.00	25.00	74.00	28.00	87.00
SEW-NVD-8FF	1/2"	32.00	30.00	84.00	35.00	89.00

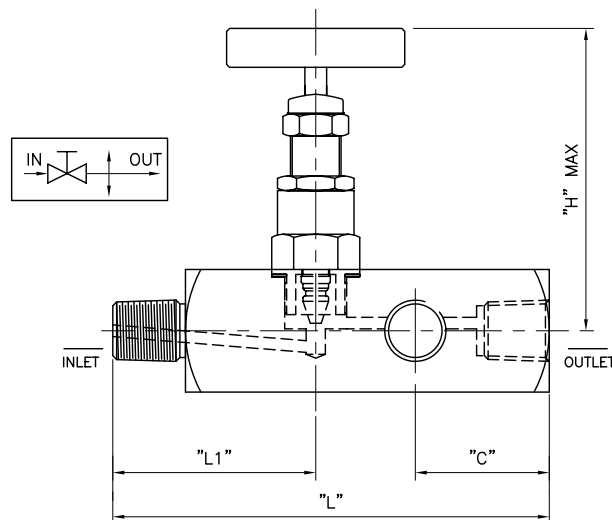
All dimensions are for reference only, and are subject to change without prior notice. Sizes and types other than those featured above are available on request.

Model : SEW-NV09
Male x Female (With Vent Plug)



Part No.	Size	A	C	L	L1	H
SEW-NVD-4MF	1/4"	28.00	25.00	74.00	28.00	87.00
SEW-NVD-6MF	3/8"	28.00	25.00	74.00	28.00	87.00
SEW-NVD-8MF	1/2"	32.00	30.00	84.00	35.00	89.00

Model : SEW-GV10
Male Inlet x 3 Female Outlet



Part No.	Size	A	C	L	L1	H
SEW-GV-4MF	1/4"	28.00	28.00	82.00	28.00	87.00
SEW-GV-6MF	3/8"	28.00	28.00	82.00	28.00	87.00
SEW-GV-8MF	1/2"	32.00	32.00	117.00	35.00	89.00

All dimensions are for reference only, and are subject to change without prior notice. Sizes and types other than those featured above are available on request.

BALL VALVES



SUPER ENGINEERING WORKS Ball Valves are the most frequently used valves across the globe for Chemicals, Petrochemicals, Fertilizers, Pharmaceuticals as well as other major industries. Our ball valves have very low operating torques and a range of seat materials to provide excellent process environmental compatibility. Our seats offer wide process compatibility whilst maintaining positive sealing across the entire operating range. The quarter turn design facilitates easy operation. Ball Valves give full flow in open position even at quarter turn. Ball Valves are also used for high density fluids, and the main advantage of using ball valves is that the flow is not affected by the contaminated particles. Ball Valves are not recommended for flow throttling purpose.

Our range of BALL VALVES covers variety of types and end connections:

- 2 Way Ball Valve
- 3 Way Ball Valve
- 4 Way Ball Valve
- 5 Way Ball Valve
- Panel Mount Ball Valve
- Screwed Ends Ball Valve
- Double Ferrule Tube Fitting Ends Ball Valve
- Flanged Ends Ball Valve

Key Features

Design: Floating Ball Design for positive sealing

Port: Full Port / Reduced Port

Seat: PTFE, DELRIN, PEEK

Size Range: 1/4" to 1"

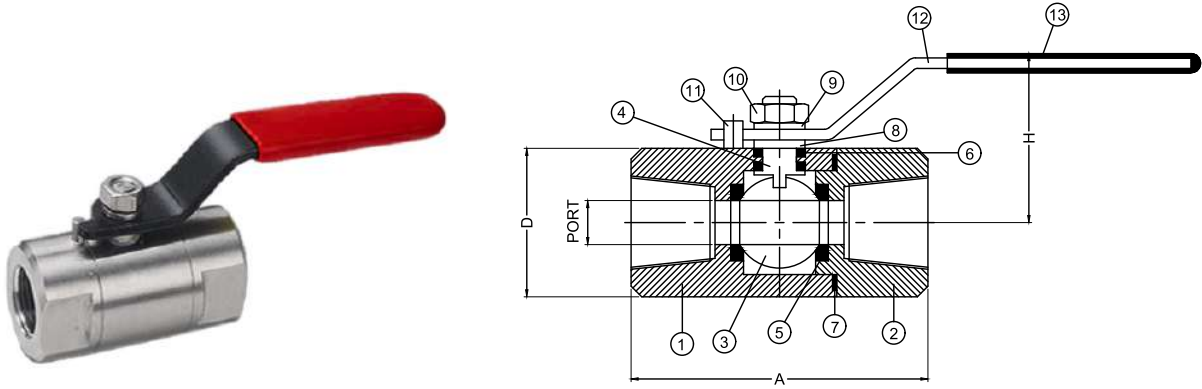
End Connections: Male/Female pipe thread (NPT, BSP, BSPT), Double Ferrule Tube Fittings, Socket Weld.

Working Pressure: 1000 PSI to 3000 PSI

Material: SS 304, SS 316, SS 316L

Model : SEW-BV01

BALL VALVE (2 PC DESIGN)
 FEMALE SCREWED END



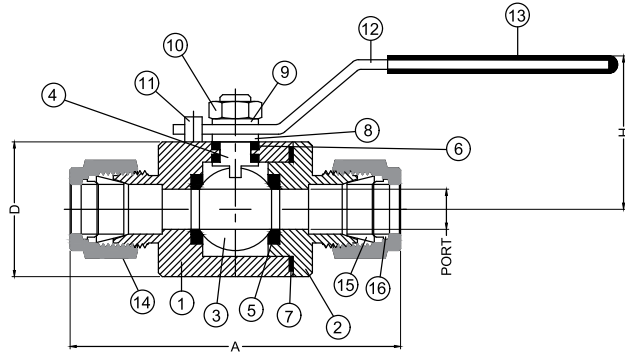
Part No.	Size (NPT)	A +/- 2.0	ØD +/-2.0	PORT	H +/- 2.0
SEW-BV01-4	1/4"	58.00	30.00	6.40	40.00
SEW-BV01-6	3/8"	58.00	30.00	9.00	40.00
SEW-BV01-8	1/2"	70.00	35.00	10.40	45.00
SEW-BV01-12	3/4"	80.00	45.00	19.00	55.00
SEW-BV01-16	1"	85.00	48.00	25.40	60.00

Part No.	Description	Material	Qty
1	BODY	SS 316	01
2	ADAPTER	SS 316	01
3	BALL	SS 316	01
4	STEM	SS 316	01
5	BALL SEATS	PTFE	02
6	GLAND PACKING	PTFE	01
7	GASKET	PTFE	01
8	THRUST WASHER	SS 304	01
9	SPRING WASHER	SS 304	01
10	LOCK NUT	SS 304	01
11	STOP PIN	SS 304	01
12	HANDLE	CS PLATED	01
13	SLEEVE	PVC	01

All dimensions are for reference only, and are subject to change without prior notice. Sizes and types other than those featured above are available on request.

Model : SEW-BV02

BALL VALVE (2 PC DESIGN)
 DOUBLE FERRULE TUBE FITTING END



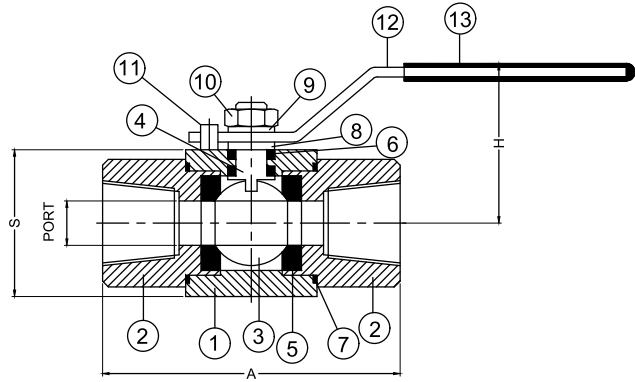
Part No.	Size	A +/- 2.0	ØD +/-2.0	PORT	H +/- 2.0
SEW- BV02-4	1/4" OD	70.00	30.00	4.80	40.00
SEW- BV02-6	3/8" OD	75.00	30.00	7.10	40.00
SEW- BV02-8	1/2" OD	85.00	35.00	10.40	45.00
SEW-BV02-12	3/4" OD	95.00	45.00	15.00	55.00
SEW-BV02-16	1" OD	105.00	50.00	22.00	60.00

Part No.	Description	Material	Qty
1	BODY	SS 316	01
2	ADAPTER	SS 316	01
3	BALL	SS 316	01
4	STEM	SS 316	01
5	BALL SEATS	PTFE	02
6	GLAND PACKING	PTFE	01
7	GASKET	PTFE	01
8	THRUST WASHER	SS 304	01
9	SPRING WASHER	SS 304	01
10	LOCK NUT	SS 304	01
11	STOP PIN	SS 304	01
12	HANDLE	CS PLATED	01
13	SLEEVE	PVC	01
14	NUT	SS 316	02
15	FRONT FERRULE	SS 316	02
16	BACK FERRULE	SS 316	02

All dimensions are for reference only, and are subject to change without prior notice. Sizes and types other than those featured above are available on request.

Model : SEW-BV03

BALL VALVE (3 PC DESIGN)
FEMALE SCREWED END



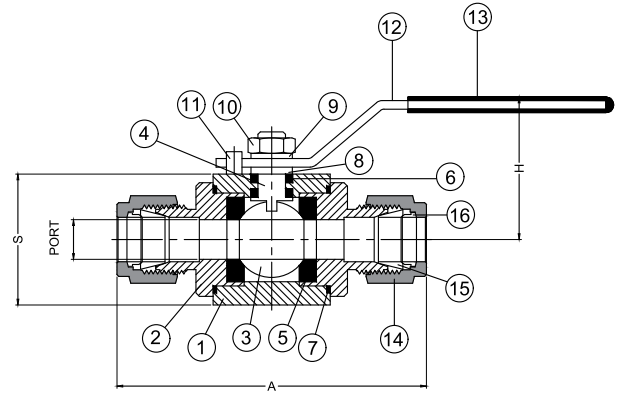
Part No.	Size (NPT)	A +/- 2.0	S +/-2.0	PORT	H +/- 2.0
SEW-BV03-4	1/4"	60.00	28.00	4.80	38.00
SEW-BV03-6	3/8"	60.00	28.00	7.10	38.00
SEW-BV03-8	1/2"	85.00	35.00	10.40	45.00
SEW-BV03-12	3/4"	100.00	40.00	15.00	50.00
SEW-BV03-16	1"	110.00	50.00	25.00	60.00

Part No.	Description	Material	Qty
1	BODY	SS 316	01
2	ADAPTER	SS 316	02
3	BALL	SS 316	01
4	STEM	SS 316	01
5	BALL SEATS	PTFE	02
6	GLAND PACKING	PTFE	01
7	GASKET	PTFE	02
8	THRUST WASHER	SS 304	01
9	SPRING WASHER	SS 304	01
10	LOCK NUT	SS 304	01
11	STOP PIN	SS 304	01
12	HANDLE	CS PLATED	01
13	SLEEVE	PVC	01

All dimensions are for reference only, and are subject to change without prior notice. Sizes and types other than those featured above are available on request.

Model : SEW-BV04

BALL VALVE (3 PC DESIGN)
 DOUBLE FERRULE TUBE FITTING END



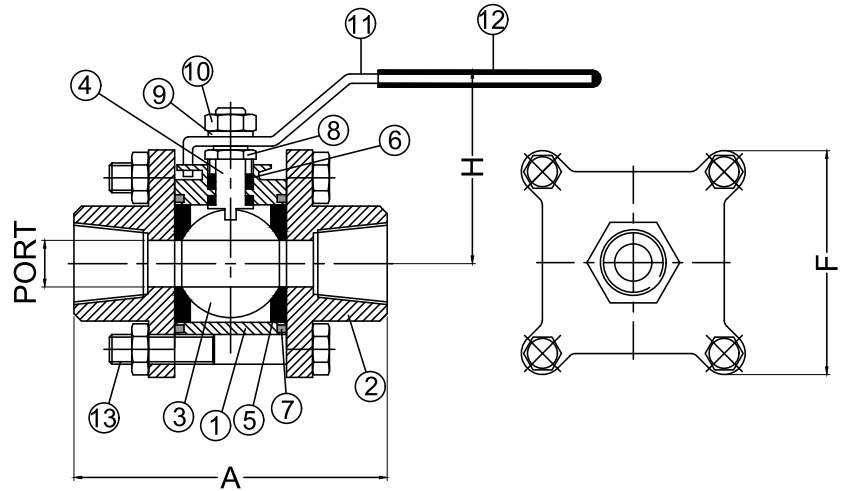
Part No.	Size	A +/- 2.0	S +/-2.0	PORT	H +/- 2.0
SEW-BV04-4	1/4" OD	79.00	30.00	4.80	40.00
SEW-BV04-6	3/8" OD	85.00	30.00	7.10	40.00
SEW-BV04-8	1/2" OD	94.00	38.00	10.40	48.00
SEW-BV04-12	3/4" OD	110.00	45.00	15.00	55.00
SEW-BV04-16	1" OD	118.00	50.00	22.00	60.00

Part No.	Description	Material	Qty
1	BODY	SS 316	01
2	ADAPTER	SS 316	02
3	BALL	SS 316	01
4	STEM	SS 316	01
5	BALL SEATS	PTFE	02
6	GLAND PACKING	PTFE	01
7	GASKET	PTFE	02
8	THRUST WASHER	SS 304	01
9	SPRING WASHER	SS 304	01
10	LOCK NUT	SS 304	01
11	STOP PIN	SS 304	01
12	HANDLE	CS PLATED	01
13	SLEEVE	PVC	01
14	NUT	SS 316	02
15	FRONT FERRULE	SS 316	02
16	BACK FERRULE	SS 316	02

All dimensions are for reference only, and are subject to change without prior notice. Sizes and types other than those featured above are available on request.

Model : SEW-BV05

**BALL VALVE (3 PC BOLTED DESIGN)
 FEMALE SCREWED END**

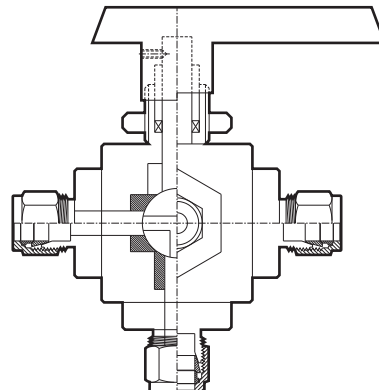
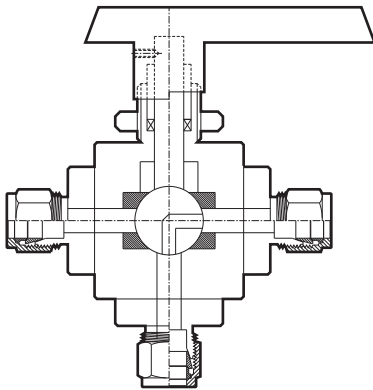


Part No.	Size (NPT)	A +/- 2.0	F +/-2.0	PORT	H +/- 2.0
SEW-BV05-8	1/2"	72.00	46.00	15.00	50.00
SEW-BV05-12	3/4"	80.00	52.00	19.00	55.00
SEW-BV05-16	1"	87.00	60.00	25.00	65.00

Part No.	Description	Material	Qty
1	BODY	SS 316	01
2	ADAPTER	SS 316	02
3	BALL	SS 316	01
4	STEM	SS 316	01
5	BALL SEATS	PTFE	02
6	GLAND PACKING	PTFE	01
7	GASKET	PTFE	02
8	GLAND NUT	SS 304	01
9	SPRING WASHER	SS 304	01
10	LOCK NUT	SS 304	01
11	HANDLE	CS PLATED	01
12	SLEEVE	PVC	01
13	STUD	SS	04

All dimensions are for reference only, and are subject to change without prior notice. Sizes and types other than those featured above are available on request.

Model : SEW-BV06



Features:

- 3 way and 5 way switching valve and 4 way cross over valve models are made.
- One-piece ball stem eliminates backlash to ensure alignment of ball and orifice.
- Blow out proof bottom loaded stem.
- Heavy directional black unbreakable handle
- Panel mounting facility and low operating torque
- Series of endconnections 1/4", 3/8", 1/2" double or single ferrule tube end or male/female NPT, BSP pipe end.
- Pressure rating up to 3000 *psi*/210 *bar* at 100°F / 37° C.
- Material of construction: SS, M.S, Monel, Brass, Aluminum, Titanium, and Hastalloy.
- 100% factory tested.



SUPER
ENGINEERING
WORKS
INSTRUMENTATION FITTINGS & VALVES



Gala No. 2, Munshi Compound,
Behind A R Paradise Hotel, Kashmirira,
Miraroad (E), Thane 401 107.



superengineering5550@gmail.com



+91 7021984169